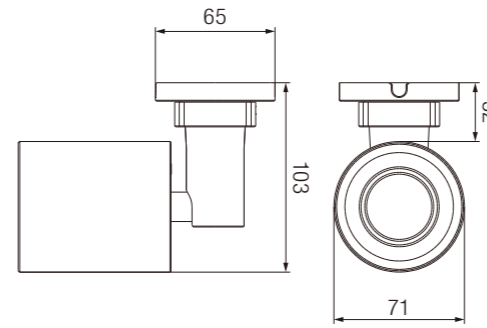



N70

MEGAPIXEL BULLET CAMERA

DIMENSIONS (Unit:mm)



SPECIFICATIONS

Model	N70Q-10 	N70Q-C	N70A-BL
Image Sensor	1/3" 3 MP	1/3" 3 MP	1/3" 1.3 MP
WDR	N/A	N/A	
Num. of Effective Pixels	2048 x 1536 HxV	2048 x 1536 HxV	1280 x 1024 HxV
Lens	10x Optical Zoom: 5.1~51mm F1.6	2.8~12mm Varifocal F1.4	3.6 mm F1.8
F.O.V. (Horizontal)	54° (Wide)~4.9° (Tele)	89° (Wide)~25° (Tele)	78°
Minimum Illumination	0.1 Lux, 0 Lux (IR On)	0.05 Lux, 0 Lux (IR On)	
Shutter Time (Sec.)	1/3~1/15000 or 1/4~1/15000 Selectable	1/3~1/15000 or 1/4~1/15000 Selectable	
Auto Iris	DC Drive	Fixed Iris	
S/N Ratio	More than 39 dB	More than 39 dB	
Day/Night	Yes, Built-in ICR <10 Lux IR Enabled	Yes, Built-in ICR <10 Lux IR Enabled	
Video Compression	Motion JPEG, MPEG-4, H.264 High Profile	Motion JPEG, MPEG-4, H.264 High Profile	
H.264/MJPEG MPEG4	20 fps: 3 MP; 30 fps: HD-1080p, HD-720p, SXGA, 1024 x 768, 800 x 600, D1, VGA, QVGA, QQVGA	20 fps: 3 MP; 30 fps: HD-1080p, HD-720p, SXGA, 1024 x 768, 800 x 600, D1, VGA, QVGA, QQVGA	30 fps: SXGA, 1024 x 768, 800 x 600, D1, VGA, QVGA, QQVGA
Video Streaming	30 fps: HD-1080p, HD-720p, SXGA, 1024 x 768, 800 x 600, D1, VGA, QVGA, QQVGA, Minilux Mode	30 fps: HD-1080p, HD-720p, SXGA, 1024 x 768, 800 x 600, D1, VGA, QVGA, QQVGA, Minilux Mode	30 fps: SXGA, 1024 x 768, 800 x 600, D1, VGA, QVGA, QQVGA
Video Output	Multiple Stream: Controllable Framerate and Bandwidth CBR/VBR N/A	Multiple Stream: Supports up to 4 Independent Streams with ROI (Region of Interest) Feature, Controllable Framerate and Bandwidth CBR/VBR N/A	
Image Setting	Compression, Brightness, Contrast, Mirroring, Sharpness, AWB, AES, AGC, BLC, Day/Night Mode, WDR	Compression, Brightness, Contrast, Mirroring, Sharpness, AWB, AES, AGC, BLC, Day/Night Mode, WDR, 4 Privacy Mask Regions	
Audio Compression	N/A	N/A	
Audio Input	N/A	N/A	
Audio Output	N/A	N/A	
Security	Password Protection, IP Address Filtering, User Access Privilege	Password Protection, IP Address Filtering, User Access Privilege	
Network Protocols	TCP/IP, UDP, DHCP, PPPoE, HTTP, HTTPS, DNS, DynDNS, NTP, FTP, SMTP, RTP, RTSP, RTCP, 3GPP, UPnP, IPv4, SAMBA Client (NAS), IGMP, ICMP, ARP	TCP/IP, UDP, DHCP, PPPoE, HTTP, HTTPS, DNS, DynDNS, NTP, FTP, SMTP, RTP, RTSP, RTCP, 3GPP, UPnP, IPv4, SAMBA Client (NAS), IGMP, ICMP, ARP	
Intelligent Video	Video Motion Detection	Video Motion Detection	
Alarm Trigger	Periodic Timer Intelligent Video	Periodic Timer Intelligent Video	
Alarm Event	Intelligent Video, File Upload via FTP and E-mail, E-mail Notification with Snapshot Attachment, File Recording to microSD Card Remote FTP or Remote NAS	Intelligent Video, File Upload via FTP and E-mail, E-mail Notification with Snapshot Attachment, File Recording to microSD Card Remote FTP or Remote NAS	
Web Browser	Microsoft IE, Mozilla Firefox, Google Chrome	Microsoft IE, Mozilla Firefox, Google Chrome	
Local Storage	microSD/SDHC Card Support	microSD/SDHC Card Support	
Casing	Metal (Aluminum), IP67, Vandal-proof	Metal (Aluminum), IP67, Vandal-proof	
Dimension	71 (W) x 103 (H) x 160 (D) mm	71 (W) x 103 (H) x 160 (D) mm	
Weight	720 g	720 g	71 (W) x 103 (H) x 140 (D) mm
Power	Power over Ethernet IEEE 802.3af, Max. 7.8 W, 12 Vdc 1. RJ-45 Female Type 10BASE-T/100BASE-TX 2. DC Power Jack for 12 Vdc Input 3. microSD Card Slot	Power over Ethernet IEEE 802.3af, Max. 7.8 W, 12 Vdc 1. RJ-45 Female Type 10BASE-T/100BASE-TX 2. DC Power Jack for 12 Vdc Input 3. microSD Card Slot	630 g
I/O Connectors			
Failover	microSD/SDHC Auto-recovery Reset	microSD/SDHC Auto-recovery Reset	
Operating Condition	-25°C~55°C (-13°F~131°F) Humidity: 20%~85% RH	-25°C~55°C (-13°F~131°F) Humidity: 20%~85% RH	
Wireless Support	N/A	N/A	
Included Accessories	QIG, CD-ROM (User Manual, Free Bundle NVR), Bracket	QIG, CD-ROM (User Manual, Free Bundle NVR), Bracket	
Approvals	FCC Part15 Subpart B, CE EN55022 Class B, EN55024, LVD, RoHS	FCC Part15 Subpart B, CE EN55022 Class B, EN55024, LVD, RoHS	
IR Range	15 M	15 M	
IR Wavelength	850 nm	850 nm	