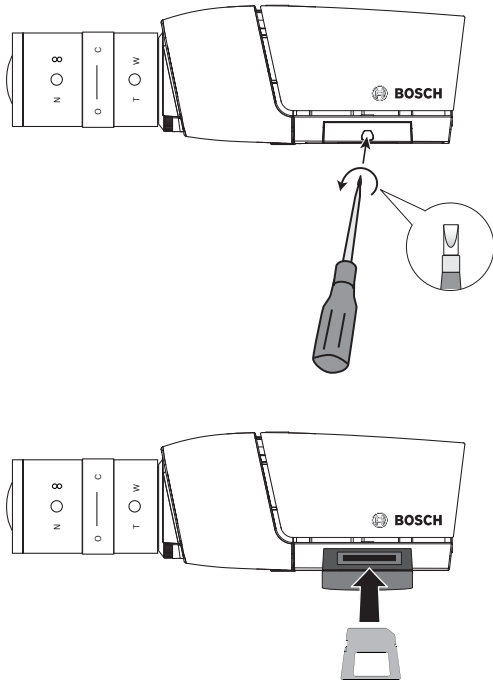


IP Camera 200 Series - NBC-255-P - Quick Install

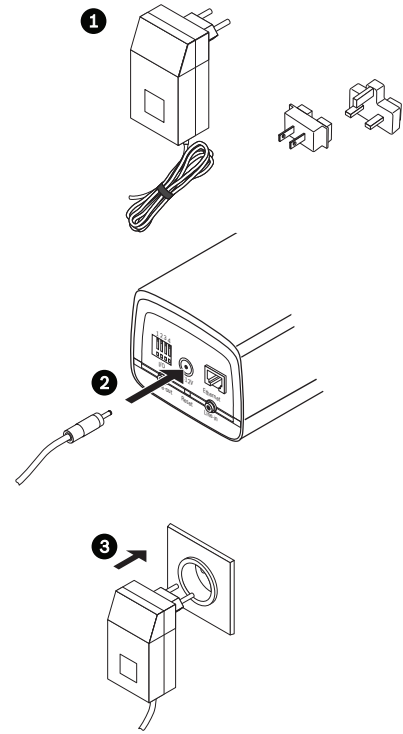
1

SD Card



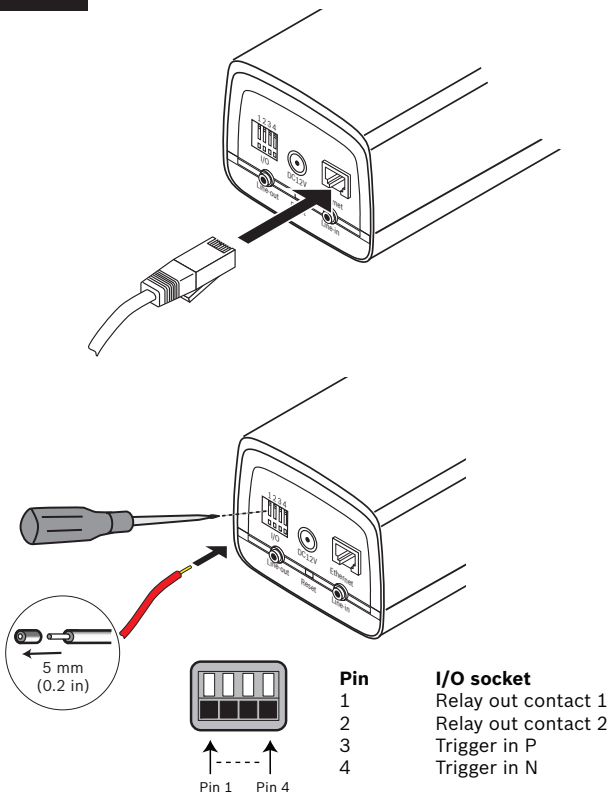
2

Power



3

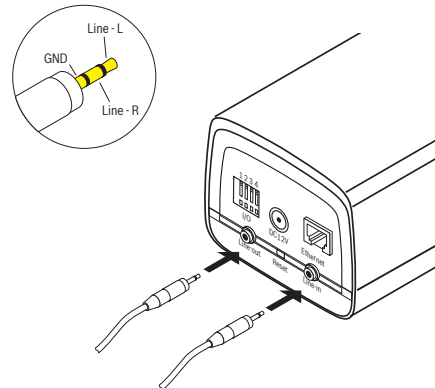
Network & I/O



4

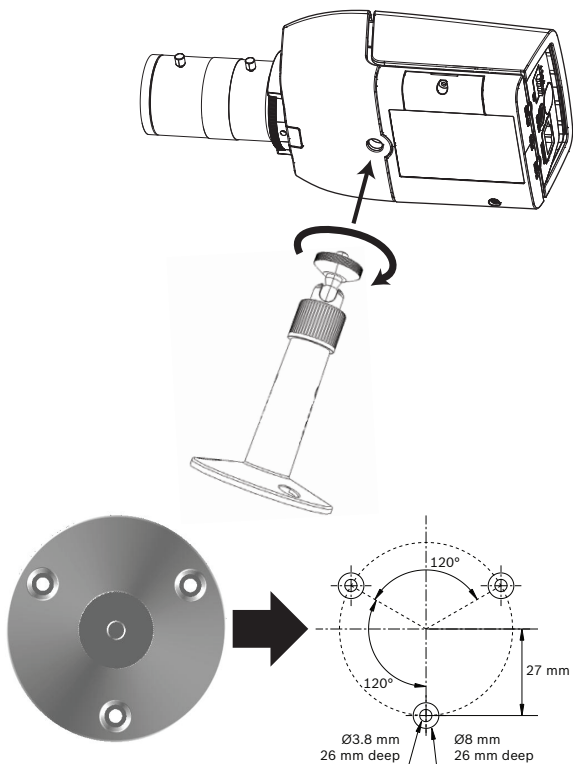
Audio

Line in: 9 kOhm typ., 200 mVrms
Line out: 16 Ohm min. 200 mVrms (earphone compatible)



5

Mount



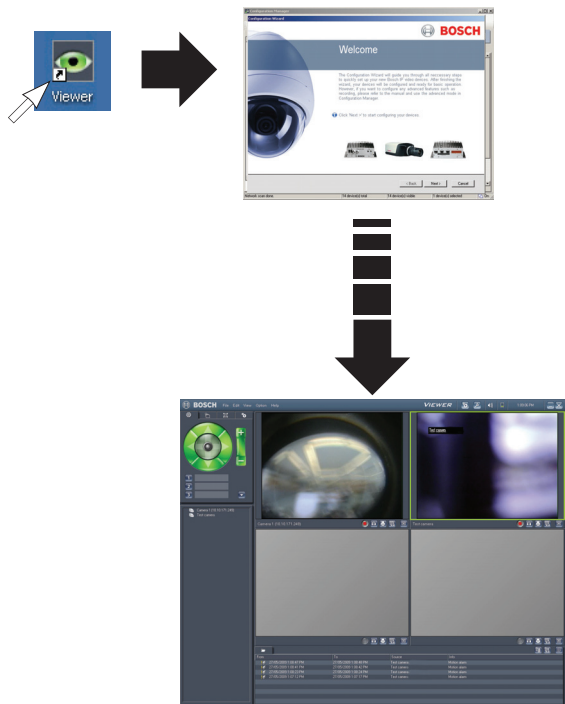
6

BVIP Lite Suite



7

Viewer - Configure



8

Adjust

