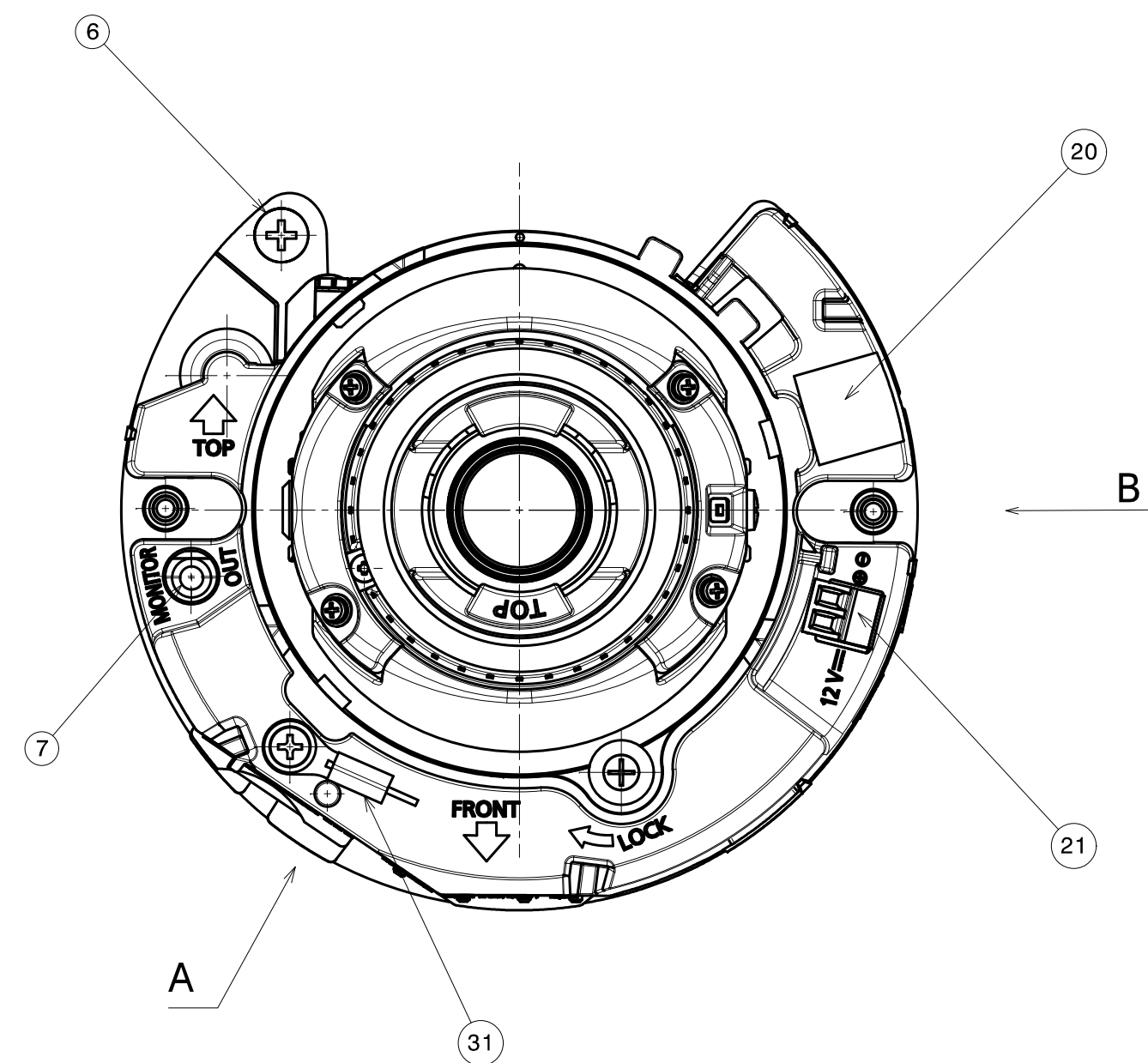
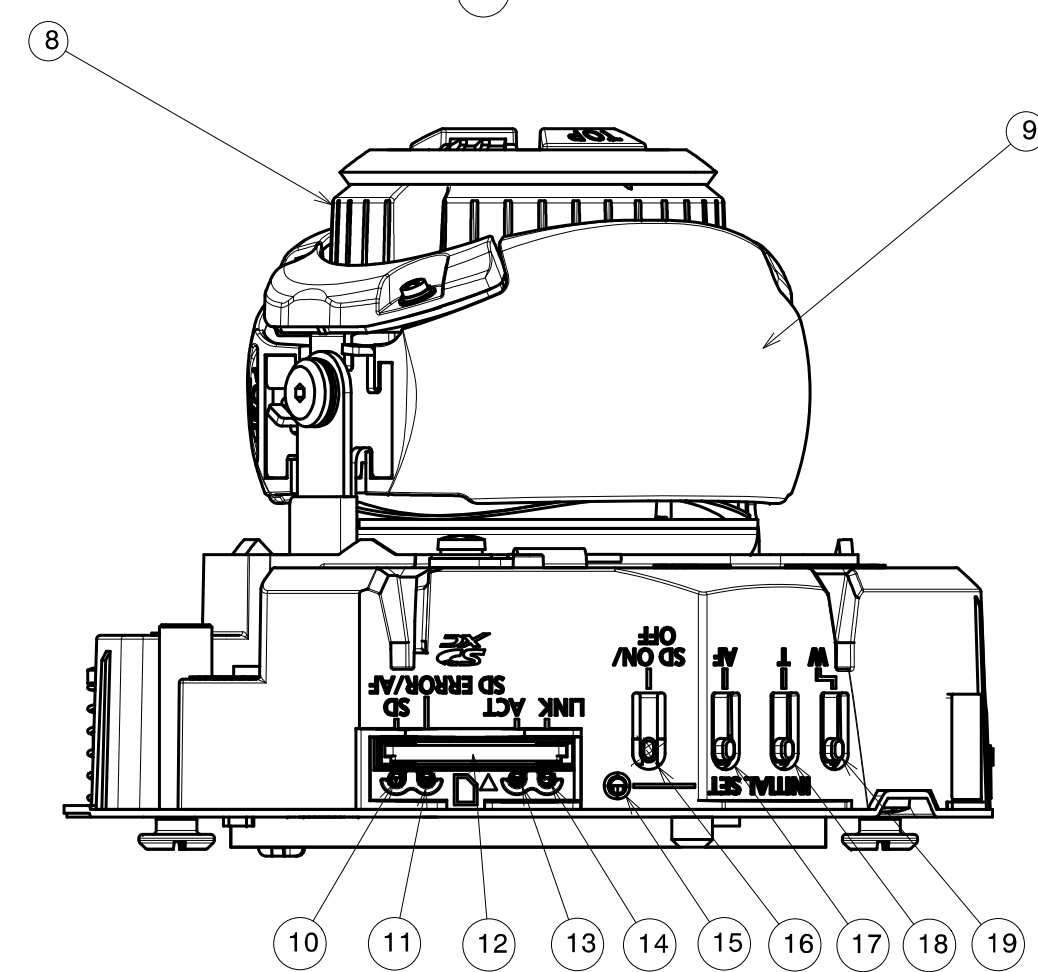
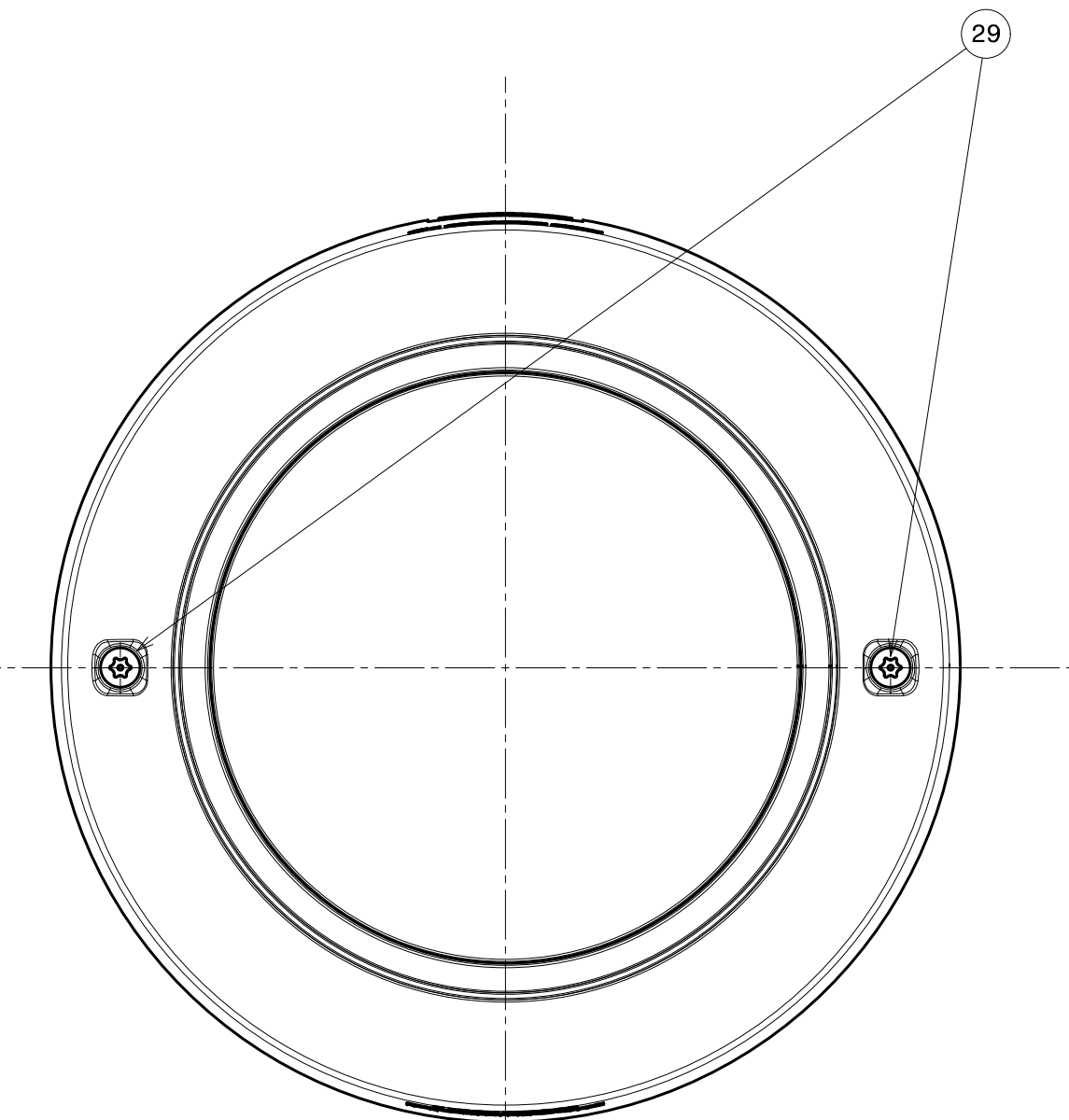
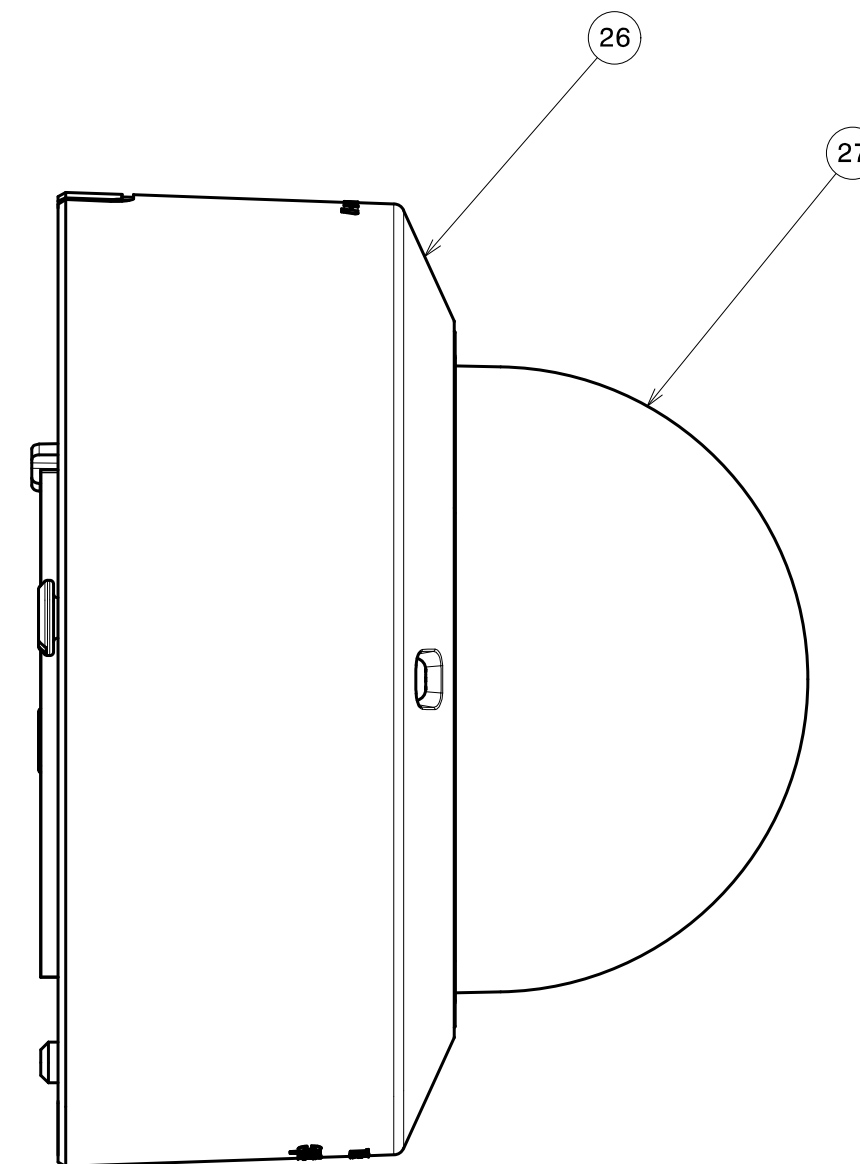
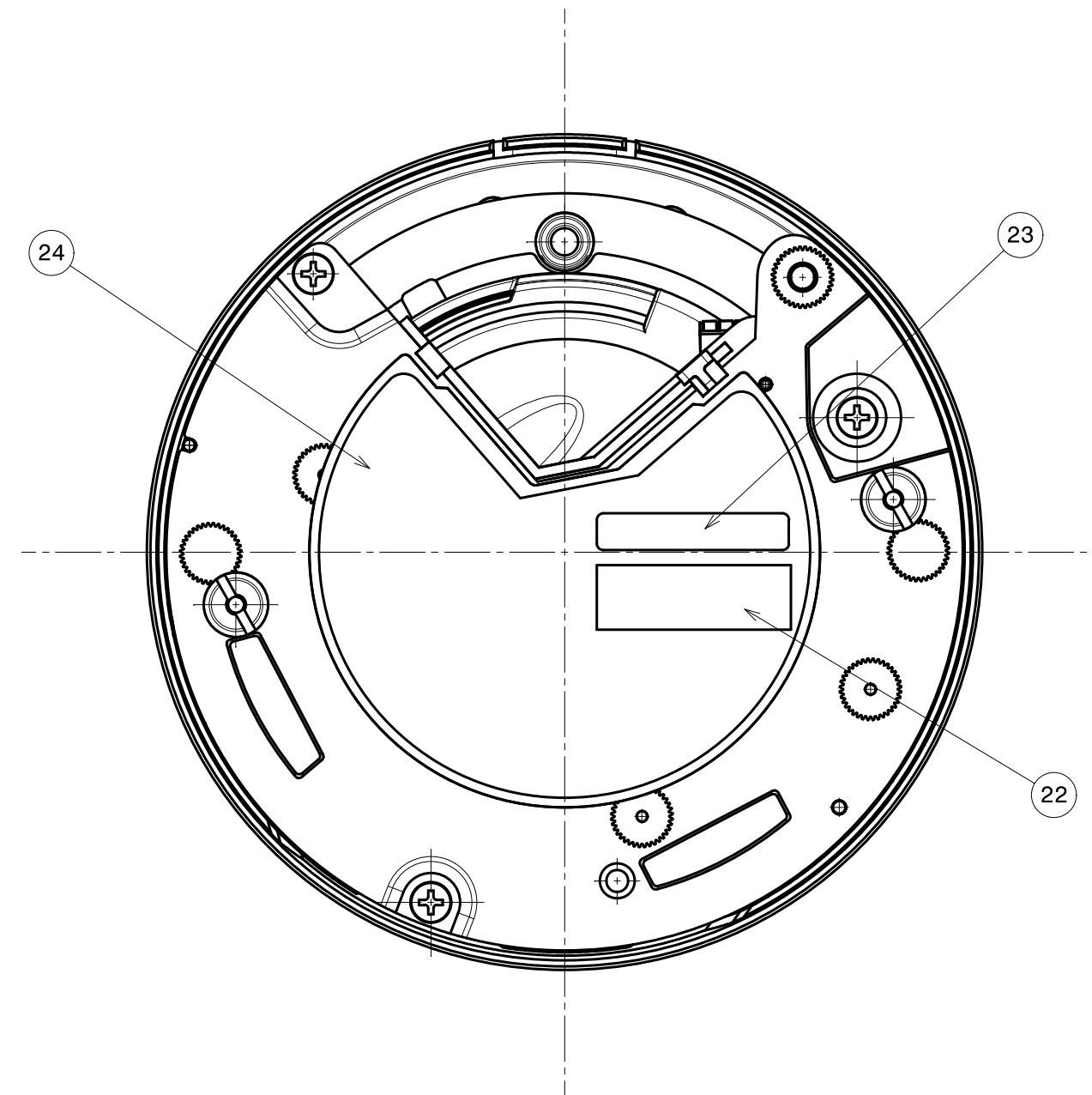


View B

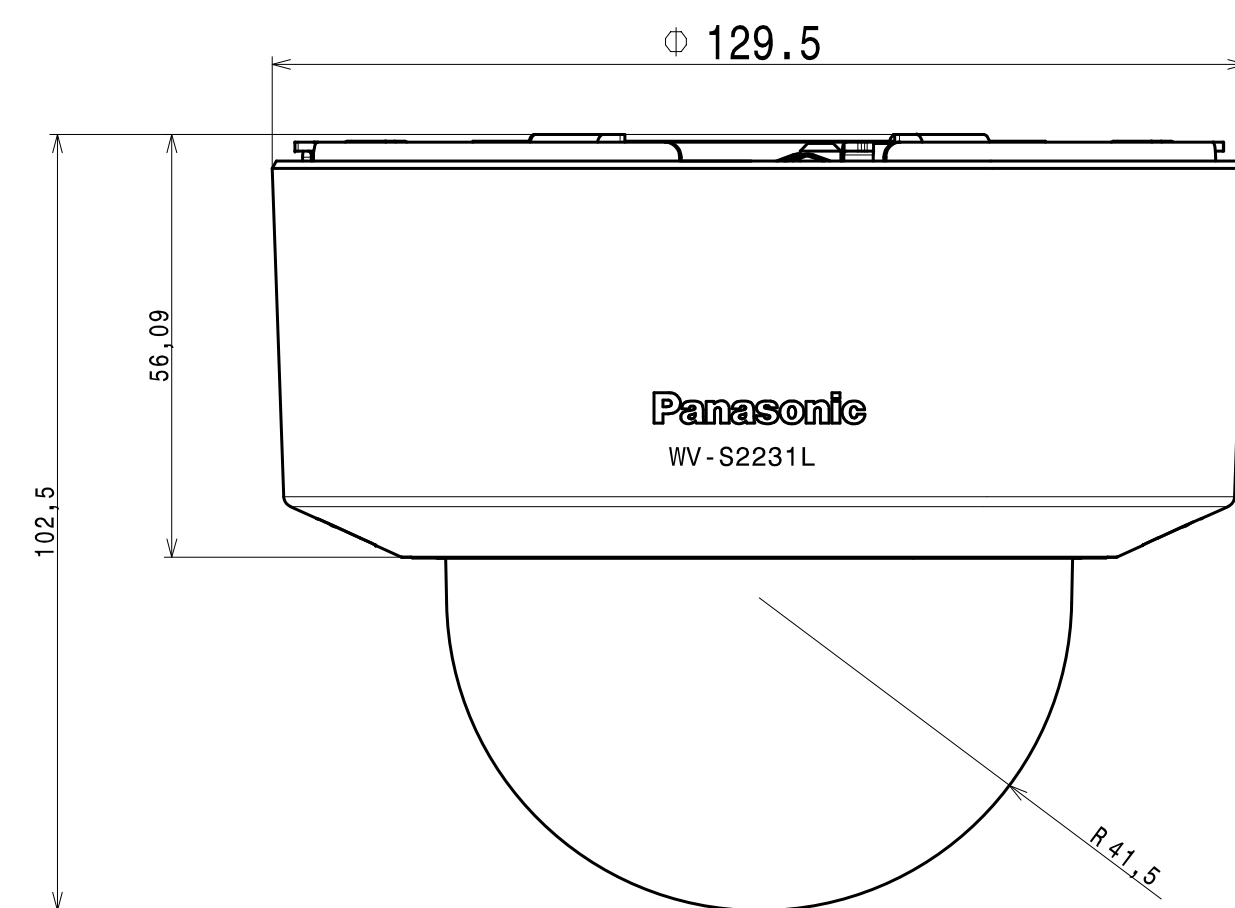
No.	Part Name	Material	Process/Remark
1	EXT I/O Connector		
2	Mic/Line IN Jack		
3	Audio/Monitor OUT Jack		
4	RJ45 Connector		
5			
6	Wall Fitting Screw	Stainless steel	
7	Monitor Out Jack		
8	LENS COVER	PBT	
9	Inner Cover	PC	
10	SD Mount LED		
11	SD Error/AF LED		
12	SD Slot		
13	ACT LED		
14	LINK LED		
15	Initial Set Button		
16	SD On/Off Button		
17	AF Button(AF)		
18	TELE Button(TELE)		
19	WIDE Button(WIDE)		
20	Data Matrix Label	Polyester Film	Printing
21	DC-12V Input Terminal Jack		
22	Mac Code Label		
23	Serial No. Label	Polyester Film	Printing
24	Name Plate	Polyester Film	Printing
25	Open-Lock Label	Polyester Film	Printing
26	Enclosure	ADC12	Coating(Sail White)
27	Clear Dome Cover	PC	With a Protection Film
28	Attachment Plate	Stainless Steel	
29	Top Cover Lock Screw	Stainless Steel	
30	PAL Switch Label	Polyester Film	Printing
31	Support Wire	Stainless Steel	



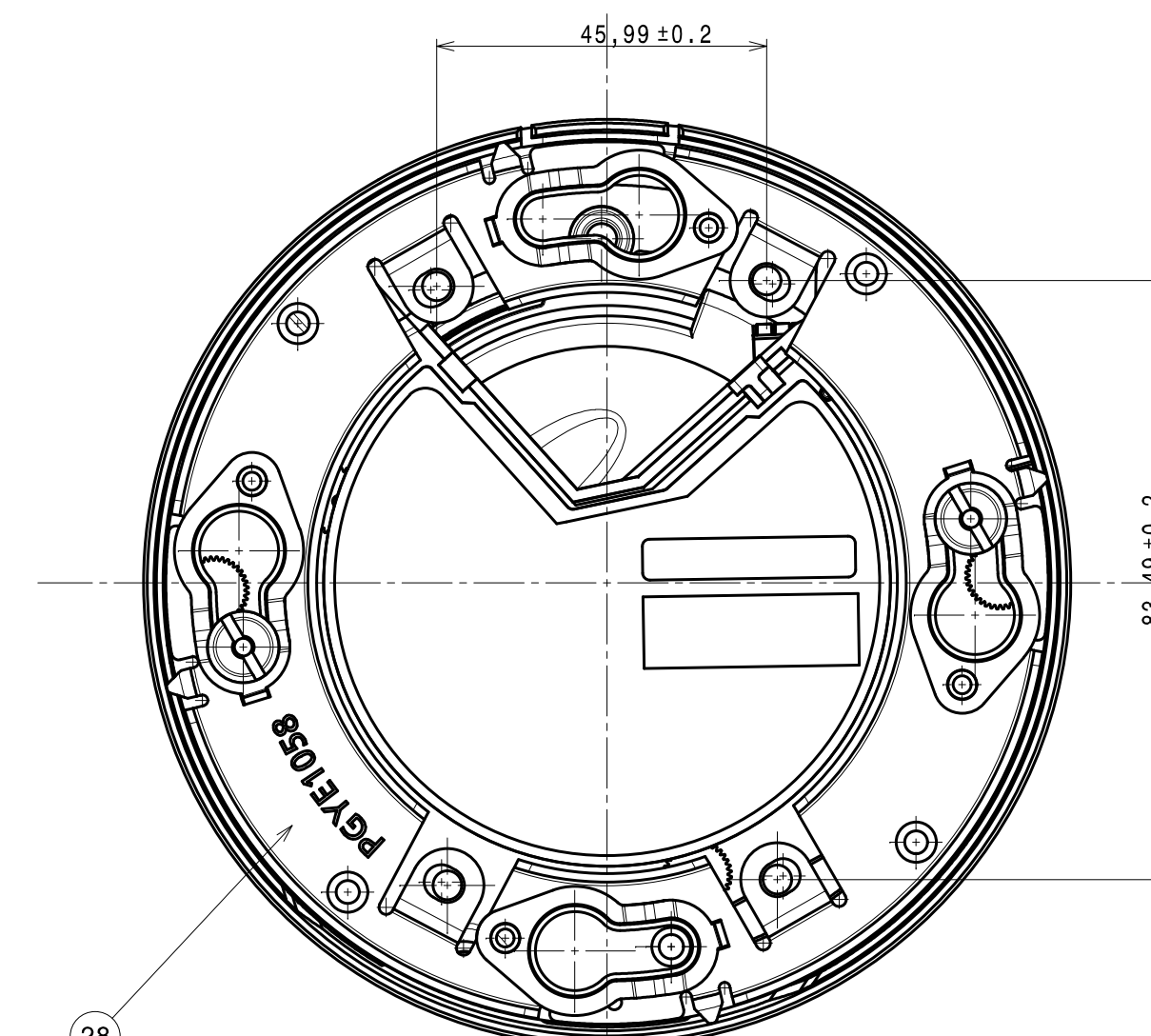
B



View A



With Attachment Plate



With Attachment Plate